

RDS-241V

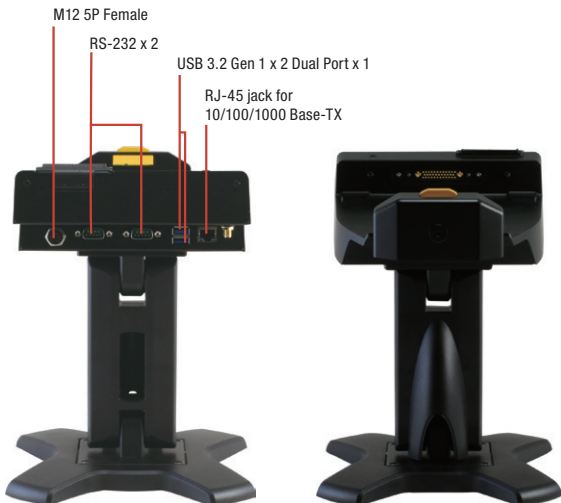
Rugged Docking Station (For RTC-1200)



USB 2.0 x 2



External antenna for GPS and WWAN x 2



M12 5P Female

RS-232 x 2

USB 3.2 Gen 1 x 2 Dual Port x 1

RJ-45 jack for 10/100/1000 Base-TX

Features

- Apply on RTC-1200
- Anti-theft Lock with Key & VESA mount
- Downward-facing I/Os for Easy Cable Management
- Ext. GPS and WWAN with SMA Connector
- Front-facing I/O: USB x 2 in landscape Side
- Downward-facing I/Os: USB 3.2 Gen 1 Dual Port x 1 + RS-232 x 2, One with 5V in Pin9 & the Other with GPIO x 8, GbE x 1, M12 DC-in x 1
- Wide Voltage Range: 9V DC ~ 36V DC in M12-5P Female Connector
- Adaptor is Additionally: (Car Adaptor with Cigarette Plug or Std Adaptor for YC-14)

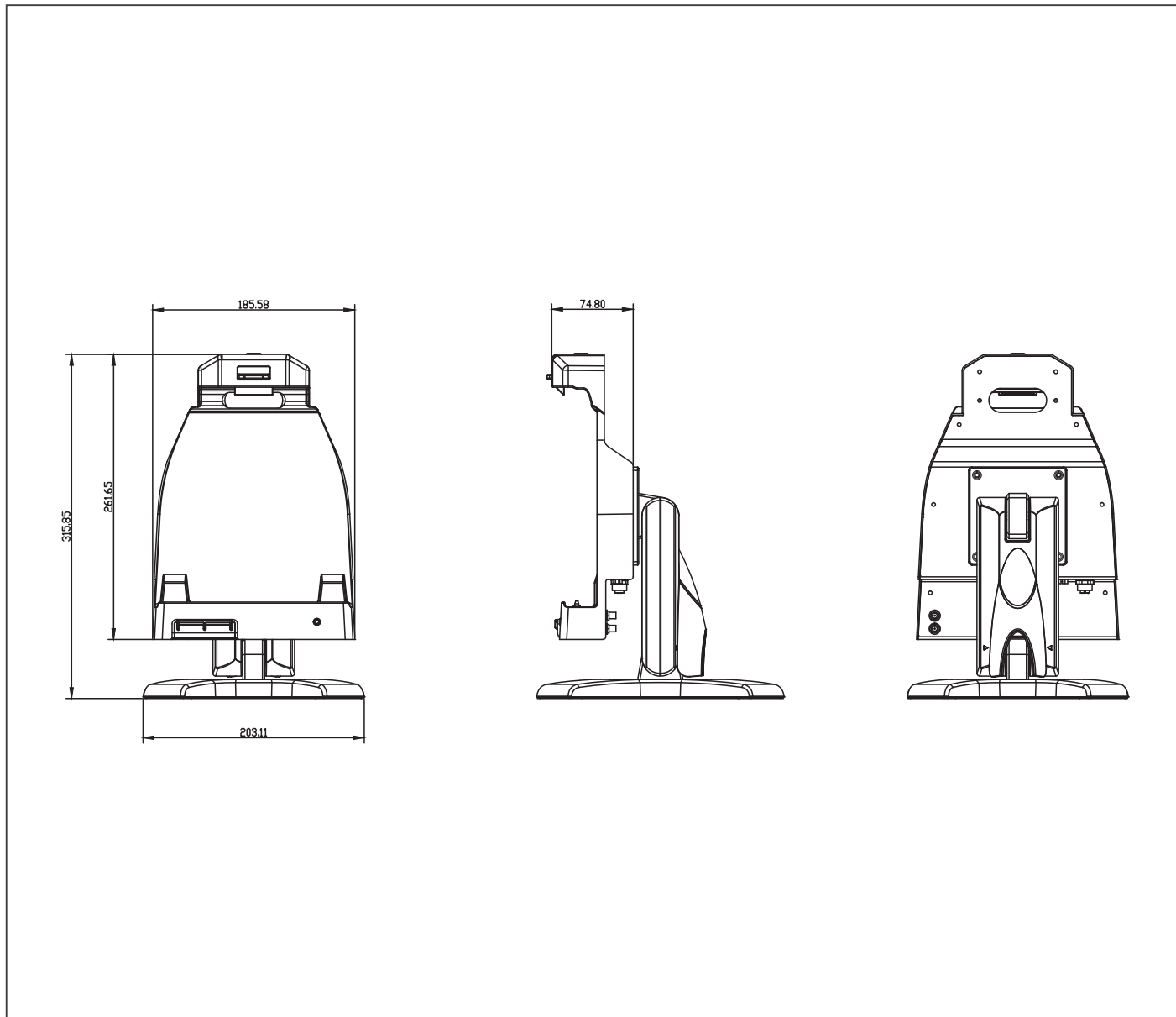


Specifications

| System | |
|------------------------|--|
| I/O | USB 2.0 x 2, USB 3.2 Gen 1 Dual Port x 1, RJ-45 jack for 10/100/1000 Base-TX Ethernet x 1, RS-232 x 2, External antenna for GPS and WWAN x 2 |
| DC Input | M12 5P Female (DC 9V to 36V) |
| LED Indicator | Orange:DC in w/o Tablet, Blue:DC in w/ Tablet |
| Mechanical | |
| Color | Black |
| Construction | PC |
| Dimensions (W x H x D) | 10.28" x 6.50" x 2.96" (261 x 165 x 75mm) |
| Gross Weight | 6.44 lb (2.92kg) |
| Environmental | |
| Operating Temperature | 32°F ~ 104°F (0°C ~ 40°C) |
| Storage Temperature | 14°F ~ 122°F (-10°C ~ 50°C) |
| ESD | Air +/- 8KV, Contact +/- 4KV |
| EMC/ Safety | CE/FCC Class B/UL |
| Power Supply | |
| AC/DC Adapter | Input: 100-240V, 47-63Hz, 90W Output: 19V/ 4.74A |
| DC/DC Adapter | Input: 11V-16V DC or 22V-32V DC Output: 19V DC/ 4.73A/ 90W |

Dimension

Unit: mm



Ordering Information

| Part Number | Applied Models | Stand | Expansion I/O |
|---------------|-------------------------------|-------|---|
| RDS-241V-0000 | For RTC-1200 Series w/ Stand | Yes | USB 2.0 x 2, USB 3.2 Gen 1 Dual Port x 1, LAN x 1, RS-232 x 2, GPS and WWAN x 2 |
| RDS-241V-0001 | For RTC-1200 Series w/o Stand | No | USB 2.0 x 2, USB 3.2 Gen 1 Dual Port x 1, LAN x 1, RS-232 x 2, GPS and WWAN x 2 |

Packing List

- RDS-241V

*Power cord must be purchased separately.

Optional Accessories

- 1255300903

Power Adapter

- 1255900900

Flying Lead Adapter for Vehicle