

Datasheet

MicroSD Card

3ME3 series

- SD 3.0 interface
- Support Class 10 with UHS-I
- Adopt MLC NAND flash
- High performance
- Targeted for portable and stationary applications
- SMART function supported



Introduction

Innodisk MicroSD 3ME3 series, supporting class 10 with UHS-I, are specifically designed for industrial PC and embedded applications. The 3.0 series SD card has latest firmware architecture and Flash algorithms, including superior wear leveling, and read disturb management ensuring highest reliability and endurance.

Innodisk MicroSD 3ME3 series provide wide range capacities from 8GB to 64GB with excellent quality MLC NAND Flash, and fully compliant to SD3.0, and SD2.0 specifications.

With its low power consumption and features above, Innodisk MicroSD 3ME3 series can be applied on industrial automation, SBC (single-board computer), medical equipment, infotainment, and mobile application.

MicroSD Card

3ME3 series

Contact us for more information about the MicroSD 3ME3 series.

Innodisk is a service-driven provider of industrial embedded flash storage products and technologies, with a focus on the cloud computing, industrial/embedded, and aerospace and defense industries.

Headquarters (Taiwan)

5F., No. 237, Sec. 1, Datong Rd., Xizhi Dist., New Taipei City 221, Taiwan

Tel: +886-2-77033000

Email: sales@innodisk.com

Branch Offices:

USA

usasales@innodisk.com

+1-510-770-9421

Europe

eusales@innodisk.com

+31-40-3045-400

Japan

jpsales@innodisk.com

+81-3-6667-0161

China

sales_cn@innodisk.com

+86-755-21673689

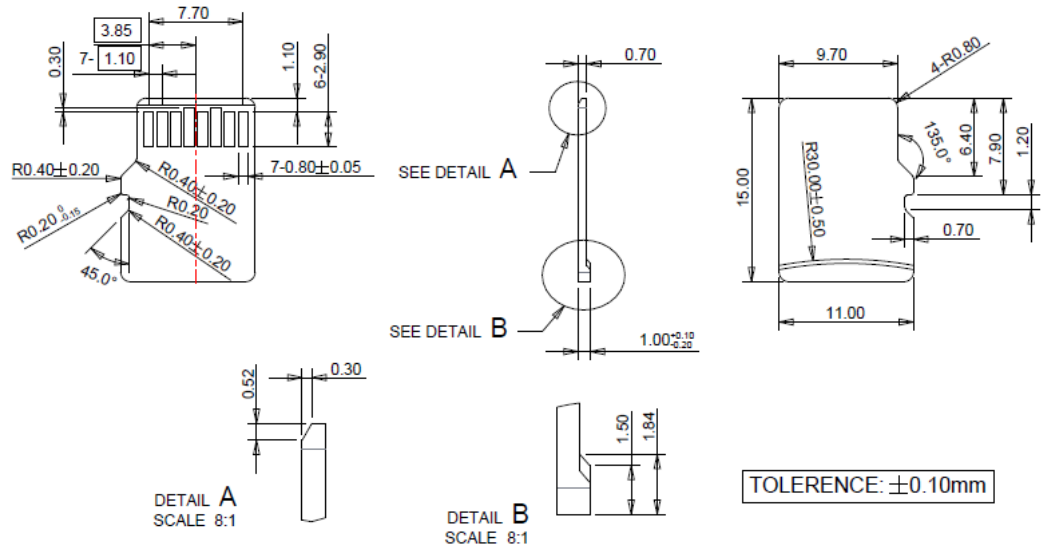
www.innodisk.com

© 2020 Innodisk Corporation.

All right reserved. Specifications are subject to change without prior notice.

2019.09.04

Diagram



Specifications

Interface	SD 3.0
Flash Type	MLC
Capacity	8GB~64GB
Max. Channels	1
Sequential R/W (MB/sec, max.)	75/31
Max. Power Consumption	0.49W (3.3V x 149mA)
Thermal Sensor	-
Extended DRAM buffer	-
H/W Write Protect	Y
ATA Security	-
S.M.A.R.T.	Y
Dimension (WxLxH)	11.0 X 15.0 X 1.0 mm
Environment	Vibration: 20G @7~2000Hz Shock: 1500G @ 0.5ms Storage Temperature: -25°C ~ +85°C MTBF: 3 million hours

Ordering Information

Operation Temp.	8GB	16GB	32GB	64GB
Standard Grade (-25°C ~ +85°C)	DESDM-08GS02SE1SK	DESDM-16GS02SE1SK	DESDM-32GS02SE1SK	DESDM-64GS02SE1SK
Industrial Grade (-40°C ~ +85°C)	DESDM-08GS02SW1SK	DESDM-16GS02SW1SK	DESDM-32GS02SW1SK	DESDM-64GS02SW1SK

innodisk

www.innodisk.com