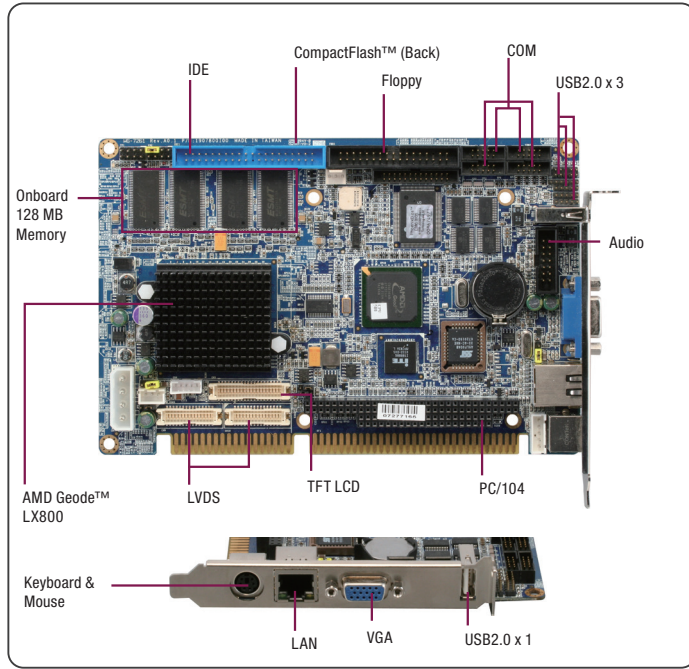


# HSB-8001

ISA Half-Size SBC with AMD Geode™ LX800 Processor

Half-Size SBCs - ISA



## Features

- AMD Geode™ LX800 Processor
- AMD Geode™ LX800 + CS5536
- Onboard DDR 400 MHz, Up to 128 MB
- 10/100Base-TX Ethernet x 1 or Gigabit Ethernet x 1 (Optional)
- Integrated 2D Graphics Accelerator, VGA Support, CRT, TFT/ LVDS Support
- AC97 Codec Audio
- Ultra ATA33 x 1, CompactFlash™ Type 2 x 1
- USB2.0 x 4, COM x 4, Parallel x 1, IrDA x 1, Digital I/O
- PC/104 Expansion
- +5V, +12V Operation, AT Power



## Specifications

| System                      |   |
|-----------------------------|---|
| Form Factor                 | Half-size CPU Card  |
| Bus Interface               | ISA   |
| CPU                         | Onboard AMD Geode™ LX800  |
| Memory Type                 | Onboard 128 MB (DDR 400)  |
| Chipset                     | AMD Geode™ LX800 + CS 5536  |
| BIOS                        | Award   |
| Wake on LAN                 | No  |
| Watchdog Timer              | 255 Levels  |
| Power Requirement           | ATX 2.1   |
| Power Consumption (Typical) | AMD LX800, DDR400 128MB<br>0.19A@+12V, 1.51A@+5V, 9.83W           |
| Power Supply Type           | +5V, +12V operation   |
| Dimension (L x W)           | 7.3" x 4.8" (185mm x 122mm)                                       |
| Operating Temperature       | 32°F ~ 140°F (0°C ~ 60°C)   |
| Storage Temperature         | -40°F ~ 176°F (-40°C ~ 80°C)                                      |
| Operating Humidity          | 0% ~ 90% relative humidity, non-condensing                        |
| MTBF (Hours)                | 85,000  |
| Certification               | CE/FCC, Class A   |
| Display                     |   |
| VGA/LCD Controller          | AMD Geode™ LX800  |
| Video Output                | 1600 x 1200@32bpp at 100 MHz for CRT<br>1600 x 1200@24bpp for LCD |
| Backlight inverter supply   | 5V/12V  |
| I/O                         |   |
| Ethernet                    | 10/100 or 10/100/1000Base-TX (optional)                           |
| Audio                       | Yes   |
| USB Port                    | USB2.0 x 4  |
| Serial Port                 | RS-232 x 3<br>RS-232/422/485 x 1                                  |
| Parallel Port               | 1   |
| HDD Interface               | IDE x 1   |
| FDD Interface               | 1   |
| SSD                         | CompactFlash™   |
| Expansion Slot              | ISA, PC/104   |
| DIO                         | 8-bit Programmable (4-in/4-out)                                   |
| TPM                         | —   |

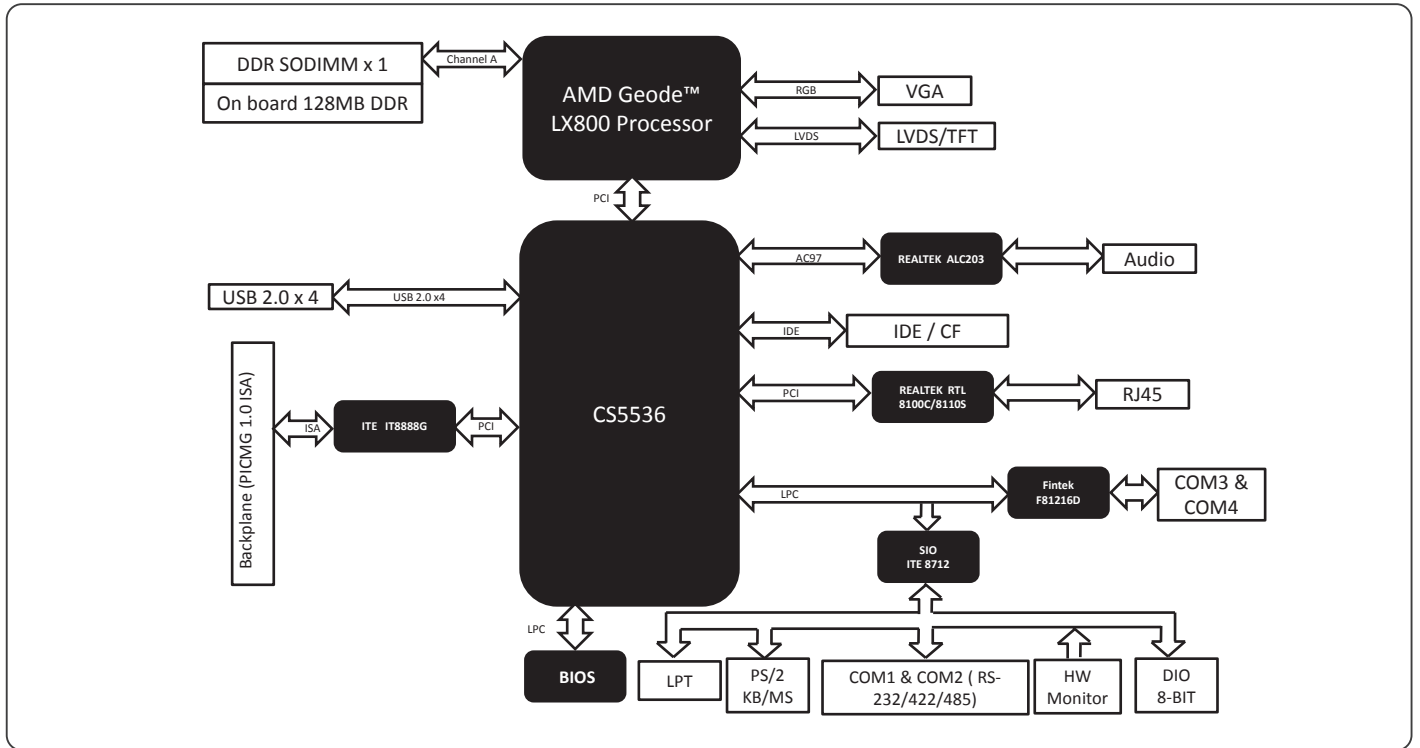
## Packing List

- **1701340704**  
Flat Cable, 34P, 70cm, GRAY for FDD
- **1701400453**  
Cable, 40P 2.54mm IDC with Nose with Fold, 40P 2.54mm IDC with Nose with Fold, 45cm, Blue ATA100
- **1700060192**  
Cable, 6P-6P-6P, 19cm, IVORY PS2/KB & Mouse
- **1709140302**  
Cable, Phone Jack x 3, to 14P, 2.54mm Housing, DB9P(M) 10P 2.0mm IDC, 4P 2.54mm Housing, 30 cm with Bracket
- **1701200301**  
Flat Cable, 9P DB9P Male, 10P 2.0mm Pitch x 2, 30cm, IDC No Fold, with Bracket
- **170910020A**  
USB Cable, 22cm 2.0mm, W/Bracket
- **1703030501**  
Wire, 3P 2.5mm Housing, 3P 2.5mm Housing, 50cm
- **1701260307**  
Flat Cable, 9P/DB9P Male & 25P DB25P Female, 10P 2mm & 26P 2mm/IDC No Fold, 30cm with Bracket
- **Product CD**
- **HSB-8001**

## Optional Accessories

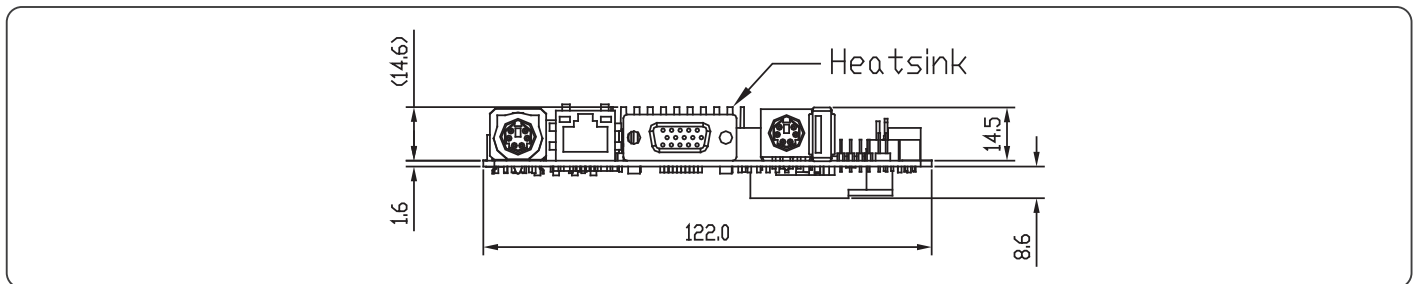
- **TF-PER-U00A**  
AC97 Audio Daughter Board

### Block Diagram



### Dimension

Unit: mm



### Passive Backplane Options

| P/N         | Description  | Master Interface | Slots (PCI/ ISA/ PICMG) | Power ATX Extend Function |
|-------------|--|------------------|-------------------------|---------------------------|
| TF-BP-204SI | Wallmount, ISA 4-slot Backplane, 4 ISA, Single Segment, AT     | ISA              | (0/4/0)                 | AT                        |
| TF-BP-206SI | Wallmount, ISA 6-slot Backplane, 6 ISA, Single Segment, AT/ATX | ISA              | (0/6/0)                 | AT/ATX                    |
| TF-BP-214SI | Wallmount, ISA 14-slot Backplane, 14 ISA, Single Segment, AT   | ISA              | (0/14/0)                | AT                        |

### Ordering Information

| Part Number        | CPU              | RAM                    | Fan/Fanless | Display        | Storage                     | LVDS     | LAN     | USB        | RS-232 | RS-232/422/485 | Expansion Slot | Power         | Temp.      |
|--------------------|------------------|------------------------|-------------|----------------|-----------------------------|----------|---------|------------|--------|----------------|----------------|---------------|------------|
| TF-HSB-800I-A10-VG | AMD Geode™ LX800 | Onboard 128 MB DDR 400 | Fanless     | VGA + LVDS/TTL | IDE x 1, Floppy x 1, CF x 1 | 24b, 1CH | GBE x 1 | USB2.0 x 4 | 3      | 1              | ISA, PC/104    | +5V, +12V, AT | 0°C - 60°C |