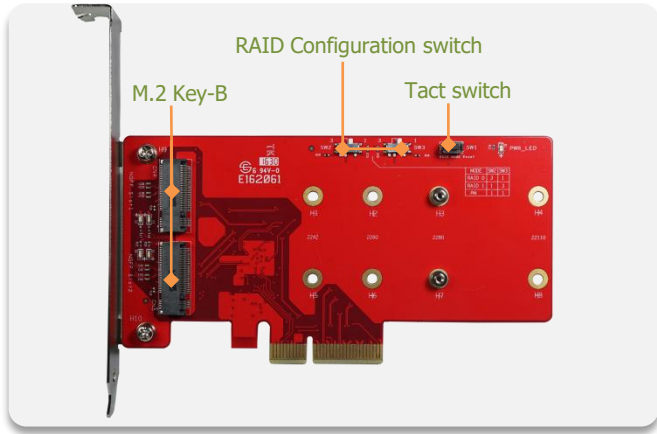


# ELPS-32R1

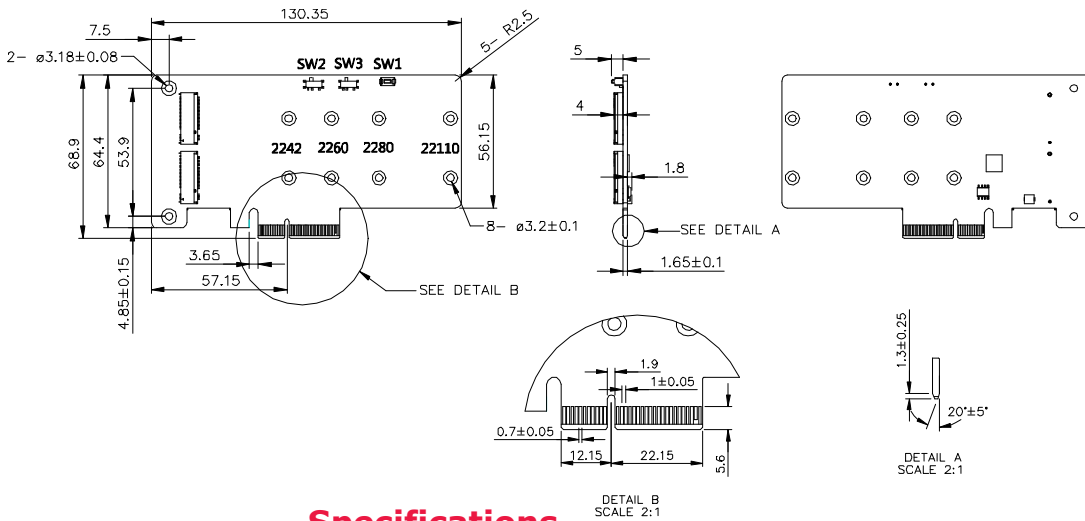
## PCIe to dual M.2 RAID Module



### Features

- PCIe x 2 to dual M.2 ports.
- Supports M.2 Key-B 2242/2260/2280/22110
- Supports AHCI, Port-Multiplier.
- Supports Native Command Queuing
- Supports Hardware RAID 0, RAID1
- RAID 0 offers excellent data transfer speed
- 30μ golden finger, 3 years warranty.
- Industrial design, manufactured in Innodisk Taiwan

### Mechanical Drawing



### Specifications

Form-Factor	Low profile PCIe
Input I/F	PCI Express 2.0 x 2
Output I/F	SATA III
Output Connector	M.2 Key-B x 2
TDP	2.1W (3.3V x 630mA)
Dimension (WxLxH)	130.35 x 68.9 x 8.45 mm, Weight: 45g
Temperature	Operation: 0°C ~ +70°C Storage: -55°C ~ +95°C Controller Tc: 25°C ~ +85°C
Environment	Vibration: 5G @7~2000Hz, Shock: 50G @ 0.5ms
Notes	1. RAID Mode Setting: [SW2:SW3] RAID0: 3:1, RAID1: 3:1, PM: 1:1 2. Press tact switch SW1 for reset.

#### Headquarters (Taiwan)

5F., No. 237, Sec. 1, Datong Rd.,  
Xizhi Dist., New Taipei City 221,  
Taiwan  
Tel: +886-2-77033000  
Email: sales@innodisk.com

#### Branch Offices:

##### USA

usasales@innodisk.com  
+1-510-770-9421

##### Europe

eusales@innodisk.com  
+31-40-3045-400

##### Japan

jpsales@innodisk.com  
+81-3-6667-0161

##### China

sales\_cn@innodisk.com  
+86-755-2167-3689

[www.innodisk.com](http://www.innodisk.com)

© 2020 Innodisk Corporation.  
All right reserved. Specifications  
are subject to change without  
prior notice.

April 20, 2020

### Order information

**ELPS-32R1-C1**

PCIe to dual M.2 RAID Module