



IMA 2000 Watts Power Supply Series

for medical and industrial applications

Product data sheet

2000 Watts Power Supply Series

for medical and industrial applications

Features

- Safety rated for Medical, Industrial and IT
- Wide operating input voltage range: 80 Vac to 275 Vac or 120 Vdc to 300 Vdc
- Wide adjustable output voltage range (+/- 14%)
- 5 Vdc standby output
- High efficiency: up to 95%
- Size: 309.6 x 127 x 40.6 mm (12.2 x 5 x 1.6 in) (1U design)
- Variable speed fan control
- Low acoustic noise level of less than 39 dB(A)
- Active current sharing
- 2 × MOPP and BF appliances
- PMBus™ compatible for control, programming and monitoring
- 500,000 hour MTBF
- Optional conformal coating
- 3 years warranty

Model variants

Model number ¹⁾	Input voltage range		Main DC Output		Auxiliary DC Output		Remote ON/OFF standard setting ²⁾	
	AC (Vac)	DC (Vdc)	Voltage (Vdc)	Current (A)	Voltage (Vdc)	Current (A)		
IMA-x2000-12-YYPLI	80 to 275	120 to 300	12	166.7	5	2	OFF	
IMA-x2000-12-YYPLY							ON	
IMA-x2000-24-YYPLI			TBD	TBD	TBD	TBD	TBD	OFF
IMA-x2000-24-YYPLY								ON
IMA-x2000-48-YYPLI			48	41.6	5	4	4	OFF
IMA-x2000-48-YYPLY								ON

¹⁾ IMA-x2000: x = S for standard version (e.g. IMA-S2000-24-YYPLY),
x = C for conformal coated version (e.g. IMA-C2000-24-YYPLY)

²⁾ Model YYPLI and YYPLY have different settings for Remote ON/OFF, see "Other features", p. 4.

AC/DC Input (J1)

	IMA-x2000-12	IMA-x2000-24	IMA-x2000-48
Nominal input voltage	100 Vac to 240 Vac		
AC Operating input voltage range	80 Vac to 275 Vac		
Nominal input frequency	50 / 60 Hz		
Input frequency range	47 Hz to 63 Hz		
DC Input voltage range	120 Vdc to 300 Vdc		
Maximum input current	17.2 A at 80 Vac / 11 A at 120 Vdc		
Efficiency @ 70% load ¹⁾	see Fig. 10 to Fig. 11		
@ 230 Vac	TBD	TBD	95%
@ 115 Vac	TBD	TBD	93%
Max inrush current ²⁾	TBD	TBD	< 25 A
Input fuse	DC input compliant, dual 25 A fuses used		
Power factor ³⁾	0.9 (typical)		

¹⁾ Excluding fan power

²⁾ Hot and cold turn on

³⁾ EN 61000-3-2, Class A compliant

Main DC Output (J2)

	IMA-x2000-12	IMA-x2000-24	IMA-x2000-48
Nominal output voltage	12 V	24 V	48 V
Output voltage adjustment range	10.5 V to 14.0 V	20.6 V to 27.4 V	42.0 V to 54.0 V
Maximum output power			
@80 Vac to 109 Vac	TBD	TBD	1000 W
@110 Vac to 179 Vac	TBD	TBD	1600 W
@180 Vac to 275 Vac	TBD	TBD	2000 W
Output voltage regulation			
Total		2.3%	
Over line Full input range, full load		0.3 %	
Over load Nominal input, full load range		1%	
Over temperature Nominal input, full load, full temperature range		1%	
Maximum output current	TBD	TBD	TBD
Maximum output capacitive load		10,000 μ F	
Dynamic load regulation ¹⁾		< 5%	
PARC (20 MHz) ²⁾	TBD	TBD	< 480 mV
Turn on overshoot	TBD	TBD	< 3%
Output rise time	TBD	TBD	< 200 ms
Hold up time		20 ms	
Start up time			
AC OFF --> ON Nominal input, max. load		< 2.5 s	
REMOTE OFF --> ON Nominal input, max. load		< 200 ms	
Output over voltage protection		YES, latch mode	
	TBD	TBD	58 V to 61 V
Output over current protection	YES, at 108% to 140% of maximal output current; auto recovery		
Short circuit protection	YES, auto recovery		
Over temperature protection	YES, auto recovery		
Remote sense ³⁾ Total voltage drop compensation for +V_SENSE and -V_SENSE connections (J3 Pins 13 and 14) to the output load		200 mV	

¹⁾ 50% step from 5% load, 1 A/ μ s, 10 μ F Tan and 1 μ F ceramic capacitor

²⁾ 10 μ F Tan and 1 μ F ceramic capacitor

³⁾ Do not short or reversely connect +V_SENSE and -V_SENSE. Doing this can cause damage to the power supply.

Auxiliary DC Output (J3)

	IMA-x2000-12	IMA-x2000-24	IMA-x2000-48
Connector type	Molex, Part number 501876-1440, 14 pin, see Fig. 12, page 11		
Nominal output voltage		5 V	
Output voltage adjustment range		–	
Output voltage regulation			
Total		2.25%	
Over line Full input range, full load		0.25%	
Over load Nominal input, full load range		1%	
Over temperature Nominal input, full load, full temperature range		1%	
Maximum output current		2 A	
Maximum output capacitive load		1,000 μ F	

	IMA-x2000-12	IMA-x2000-24	IMA-x2000-48
Output over voltage protection	TBD	TBD	Yes, at 58 V to 61 V; latch mode
Output over current protection	YES, at 108% to 140% of maximal output current; auto recovery		
Short circuit protection	YES, auto recovery		
Over temperature protection	YES, auto recovery		

Galvanic isolation

		IMA-x2000-xx
Input to Output	Reinforced	4000 Vac; 2 x MOPP
Input to Case	Basic	1500 Vac; 1 x MOPP
Output to Case	Basic	1500 Vac; 1 x MOPP

Leakage currents

		IMA-x2000-xx			
AC Leakage current from Input to earth ground	Measured at mains voltage	at 60 Hz	at 63 Hz		
	Normal condition (low line)	132 Vac	< 150 µA	< 150 µA	
	Single fault condition (low line)	132 Vac	< 250 µA	< 260 µA	
	Normal condition (high line)	264 Vac	< 300 µA	< 300 µA	
AC Leakage current from Output to earth ground	Measured at mains voltage	Typical at 60 Hz ¹⁾	Maximum value at 63 Hz ¹⁾	Limit per IEC 60601-1	
	Normal condition (low line)	264 Vac	55 µA	< 70 µA	100 µA
	Single fault condition (low line)	264 Vac	43 µA	< 80 µA	500 µA
	Normal condition (high line)	264 Vac	172 µA	< 230 µA	500 µA
Single fault condition (high line)	264 Vac	< 1250 µA	< 1800 µA	5000 µA	

¹⁾ Meets IEC 60601-1 BF leakage current limit

Other features

		IMA-x2000-xx
Current Share Bus Pin	J3 Pin 11 (CURRENT_SHARE_V)	Voltage at CS Pin will vary linearly with load current on main output, and will be 6 V at rated load current, when the output voltage is at its rated value.
Power Good Pin	J3 Pin 9 (PWR_GOOD)	Open collector. As soon as AC input voltage and DC output voltage are in the predefined range, the PWR_GOOD signal is set to HIGH.
AC Good Pin	J3 Pin 7 (AC_GOOD)	Open collector. As soon as AC input voltage is in the predefined range, the AC_GOOD signal is set to HIGH.
Green LED		Will turn ON as soon as PWR_GOOD signal is set to HIGH
Component Derating Guideline		Refer to IPC 9592B and to Delta Guideline
OR-ing		Redundant operation with active circuit sharing, see <i>Application Note "Redundant operation", p. 10</i>
SDA, SCL for I²C		Internal 10 kΩ pull-up resistor to internal 3.3 V

		IMA-x2000-xx-YYPLI		IMA-x2000-xx-YYPLY	
Remote On/Off Pin ¹⁾	J3 Pin 10 (REMOTE_ON/OFF)	REMOTE ON/OFF (J3 Pin 10) and 5VSB_RTN (J3 Pin 3 or 4)	Main DC Output	REMOTE ON/OFF (J3 Pin 10) and 5VSB_RTN (J3 Pin 3 or 4)	Main DC Output
		Shorted	OFF	Shorted	ON
		Open	ON	Open	OFF

¹⁾ Logic can be switched with PMBus™

Environmental conditions

	IMA-x2000-12	IMA-x2000-24	IMA-x2000-48
Ambient operating temperature range ¹⁾	(see Fig. 8, page 10)		
Standard mounting orientation (see Fig. 1, page 8)	-20 °C ... +70 °C (-4°F to +158 °F)		
Ambient storage temperature range	-40 °C ... +85 °C (-40 °F to +185 °F)		
Output power derating			
Versus input voltage	When AC input voltage is < 110 Vac, the output power is reduced by 20 W per 1 V. (see Fig. 7, page 10)		
Versus ambient temperature	(see Fig. 8, page 10)		
@80 Vac			When ambient temperature is > 50 °C (122 °F), the output power is reduced by 10 W per 1 °C.
@110 Vac			When ambient temperature is > 50 °C (122 °F), the output power is reduced by 40 W per 1 °C.
@180 Vac to 275 Vac			When ambient temperature is > 50 °C (122 °F), the output power is reduced by 60 W per 1 °C.
Output current derating Versus output voltage			When output voltage is > 48 Vdc, the output current is reduced by 0.8 A per 1 V (see Fig. 9, page 10).
Relative humidity	5% to 95% (non-condensing)		
Operating altitude ^{1) 2)}	-200 m to 5,000 m (-650 ft to 16,400 ft)		
Shock test (non-operating)	IEC 60068-2-27 compliant, 50 g, 11 ms, 3 shocks for each direction		
Vibration	IEC 60068-2-6 compliant, 2.09 Grms, 5 - 500 Hz, 20 minutes per side (3 planes)		
Pollution degree	2		

¹⁾ Ambient operating temperature decreases by 1 °C per 305 m (1000 ft) altitude increase

²⁾ Maximum operating altitude requirements for different types of products, see "Safety standards and directives 1)", p. 6

Reliability

	IMA-x2000-xx
CMTBF ¹⁾	500,000 hours
Expected capacitor life time ²⁾	10 years
Fan L₁₀ life @ 40 °C	70,000 hours
Warranty	3 years

¹⁾ Telecordia SR-332, Method I, Case III, Issue 2, 25 °C (77 °F), 230 Vac, full load, 90% confidence level, based on component stress

²⁾ Nominal input voltage, 40 °C (104 °F), 80% load

EMC

This device has been fully tested according to EN 60601-1-2:2015 (4th edition).

IMA-x2000-xx		
	Applied standards	Criteria
Radiated emissions ¹⁾	EN 550211, EN 55022 and FCC, Class B	
Conducted emissions ¹⁾	EN 550211, EN 55022 and FCC, Class B	
Power line harmonics	EN 61000-3-2, Class A	
Voltage flicker	EN 61000-3-3	
ESD	EN 61000-4-2, level 4, 8 kV contact, 15 kV air	A
Radiated immunity	EN 61000-4-3, level 3, 10 V/m	A
Electrical fast transient	EN 61000-4-4, level 4, ±4 kV	A
Surge immunity	EN 61000-4-5, level 4, 2 kV DM, 2 kV CM	A
Conducted RF immunity	EN 61000-4-6, level 3, 10 Vrms	A
Power frequency magnetic field	EN 61000-4-8, level 3, 10 A/m	A
Voltage dips and sags	EN 61000-4-11, 30%, 500 ms EN 61000-4-11, 60%, 100 ms EN 61000-4-11, 100%, 10 ms EN 60601-1-2:2015 (4 th edition), 30%, 500 ms EN 60601-1-2:2015 (4 th edition), 60%, 100 ms EN 60601-1-2:2015 (4 th edition), 100%, 10 ms EN 60601-1-2:2015 (4 th edition), 100%, 5000 ms	A B 12V B, 48V A A B A B
Ring wave	EN 61000-4-12, level 3, 1 kV DM, 2 kV CM	A
Voltage fluctuations	EN 61000-4-14, Class 3	A

¹⁾ Power Supply Unit inside a dummy system

Safety standards and directives ¹⁾

IMA-x2000-xx	
IEC 62368 Edition 2	IEC 62368-1 (2014) Edition 2 5000 m (16,400 ft) altitude, 120 V to 300 Vdc and 100 V to 240±10% Vac
IEC/EN 60950-1, Edition 2 and all national deviations	UL 60950-1/CSA 22.2 No 60950-1, Edition 2; 5000 m (16,400 ft) altitude, 120 V to 300 Vdc and 100 V to 240 ±10% Vac (UL File E135494)
IEC/EN 60601-1, Edition 3 (tested against Edition 2, too) and all national deviations	IEC 60601-1(2005), EN60601-1(2006) ANSI/AAMI ES 60601-1(2005) CAN/CSA C22.2 No. 60601-1 (2008); 3,000 m (9,800 ft) altitude, 100 V to 240 Vac ±10%
IEC 60601-1-2 Edition 4	IEC 60601-1-2 (2014)
Protection class	I

¹⁾ Designed to support Type B Applied Part End Product Requirements

Ecological characteristics

IMA-x2000-12	IMA-x2000-24	IMA-x2000-48
Waste Electrical and Electronic Equipment Directive (WEEE) 2002/96/EC		
TBD	TBD	RoHS - EU DIRECTIVE 2002/65/EC RoHS compliancy

Mechanical data

	IMA-x2000-12	IMA-x2000-24	IMA-x2000-48
Dimensions (L x W x D)	309.6 x 127 x 40.6 mm (12.2 x 5 x 1.6 in)	309.6 x 127 x 40.6 mm (12.2 x 5 x 1.6 in)	309.6 x 127 x 40.6 mm (12.2 x 5 x 1.6 in)
Weight	2 kg (4.4 lb)	2 kg (4.4 lb)	2 kg (4.4 lb)
Indicator	Green LED	Green LED	Green LED
Cooling system ¹⁾	2 fans with variable speed control	2 fans with variable speed control	2 fans with variable speed control
AC/DC input terminal block	TBD	TBD	Block M4 x 3 pins
Main DC output terminal block	TBD	TBD	Block M5 x 2 pins
Auxiliary DC output + signals port	Connector x 14 pins	Connector x 14 pins	Connector x 14 pins
Acoustic noise ^{1) 2)}	< 39 dB(A)	< 39 dB(A)	< 39 dB(A)

¹⁾ To keep the noise low the fan will be turned off in standby mode

²⁾ At 1 Hz to 20 kHz and a distance of 1 m. Test conditions: 100 Vac, 50% load, ambient temperature 30 °C (86 °F)

Options

Model	Main Output voltage	Standby Output	Leakage current	Main Output adjustable	Constant Voltage or Constant Current output selectable	U channel	Enclosed	Convection cooling	Fan	Fan, airflow from end to front	Fan, airflow from front to end	Top FAN solution	Active current sharing	Remote ON/OFF	Coated ¹⁾
IMA-S2000-12V	12 V	5 V/2 A	300 µA	●	●	○	●	-	●	●	○	○	●	●	-
IMA-S2000-24V	24 V	5 V/2 A	300 µA	●	●	○	●	-	●	●	○	○	●	●	-
IMA-S2000-48V	48 V	5 V/4 A	300 µA	●	●	○	●	-	●	●	○	○	●	●	-
IMA-C2000-12V	12 V	5 V/2 A	300 µA	●	●	○	●	-	●	●	○	○	●	●	●
IMA-C2000-24V	24 V	5 V/2 A	300 µA	●	●	○	●	-	●	●	○	○	●	●	●
IMA-C2000-48V	48 V	5 V/4 A	300 µA	●	●	○	●	-	●	●	○	○	●	●	●

- included
- on request
- not available

Mounting orientations

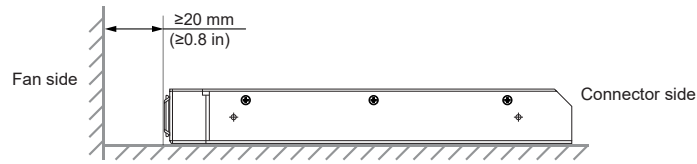


Fig. 1: Standard mounting orientation

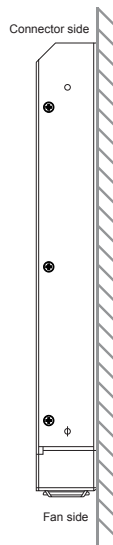


Fig. 2: Vertical mounting

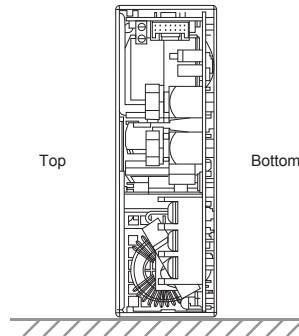


Fig. 3: Mounting on the left side

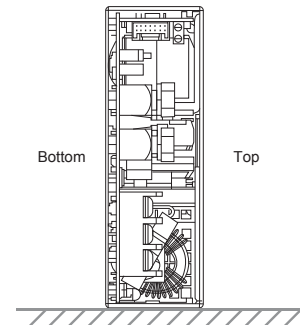


Fig. 4: Mounting on the right side

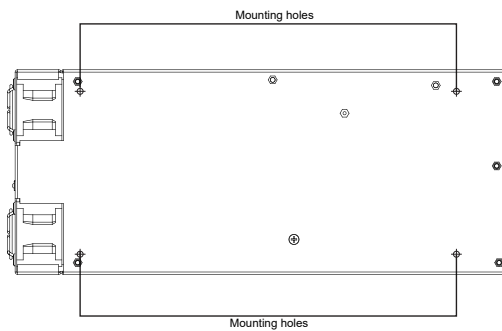
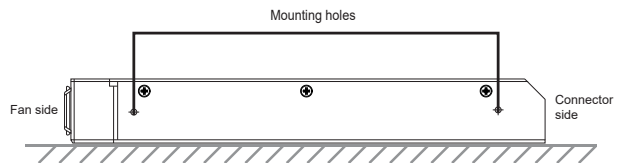


Fig. 5: Position of mounting holes



Dimensional drawings

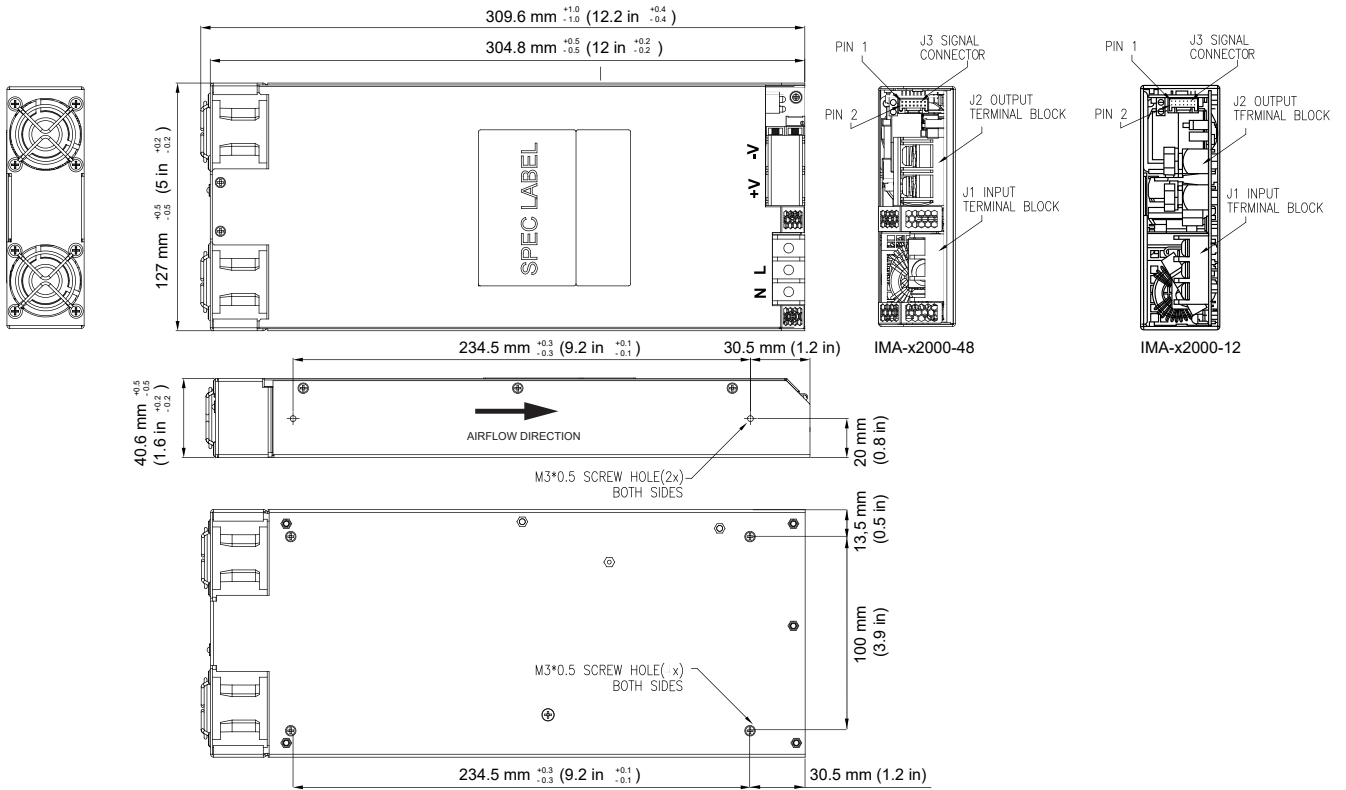


Fig. 6: Dimensional drawing IMA-x2000-xx

Notes:

- Base plate mounting, M3 thread holes, maximum penetration 4.0 mm (0.16 in) from outside face of chassis, maximum torque 0.6 Nm (5.31 lb-in)
- (J1) Input terminal block, Switchlab T14-EMII03, M3.5 screw in 3 positions, torque 1.3 Nm (11.5 lb-in)
- (J2) Output terminal block, Dinkle 0166-8002C, M5 screw in 2 positions, torque 2.4 Nm (21.24 lb-in)
- (J3) Mating connector for J3 is either Molex, part number 51110-1450 (without locking ramp), or Molex part number 51110-1451 (with locking ramp). The connector is not shipped with the power supply unit.

Curves

IMA-x2000-xx

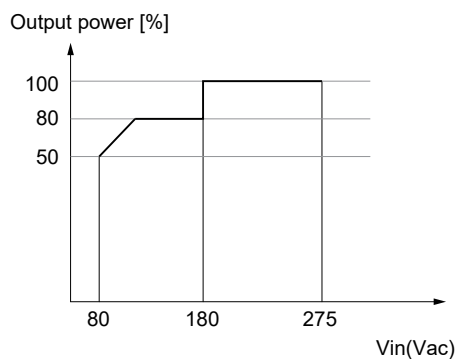


Fig. 7: Output power versus input voltage

IMA-x2000-xx

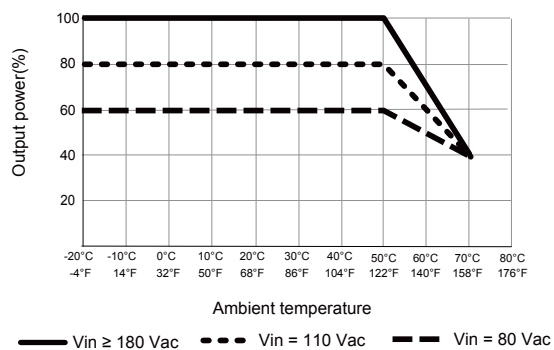


Fig. 8: Output power versus ambient temperature

IMA-x2000-48

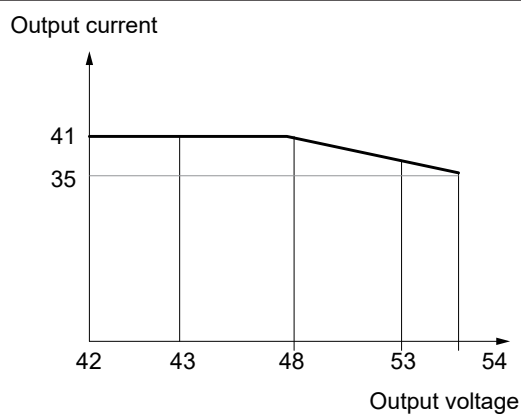


Fig. 9: Output current versus output voltage 48 V

Curves (continued)

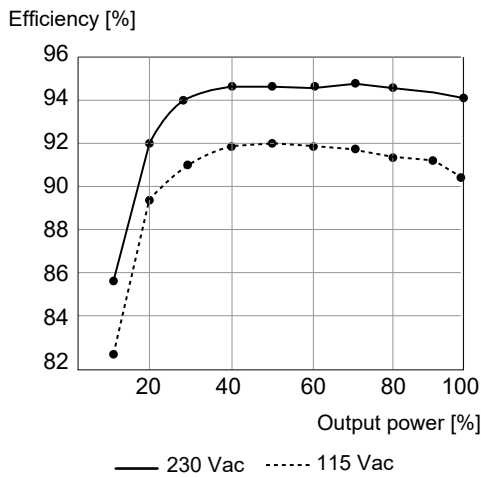


Fig. 10: Typical efficiency curves 12 V

IMA-x2000-48

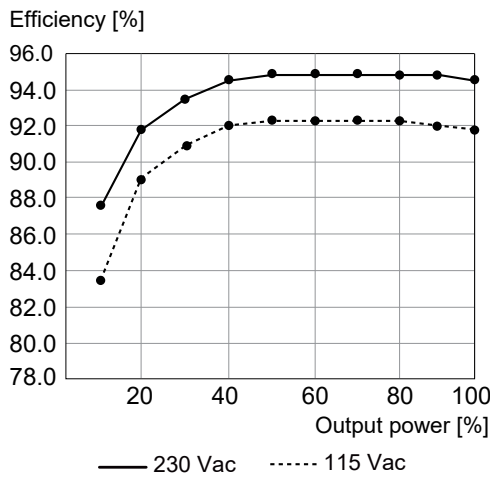
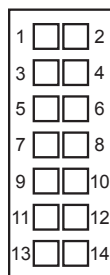


Fig. 11: Typical efficiency curves 48 V

Pin assignment (J3)

IMA-x2000-xx



Pin	Assignment	Pin	Assignment
1	+5VSB	2	+5VSB
3	5VSB_RTN	4	5VSB_RTN
5	SCL	6	SDA
7	AC_GOOD	8	5VSB
9	PWR_GOOD	10	Remote ON/OFF
11	Current_Share_V	12	Address
13	+V_SENSE	14	-V_SENSE

Fig. 12: Pin assignment J3 terminal block

Mating connector type: Molex, Part number 51110-145x

Circuit diagrams

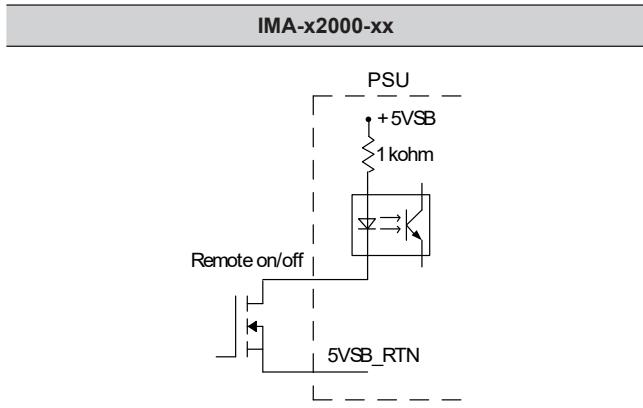


Fig. 13: Circuit diagram J3 Pin 10 (REMOTE ON/OFF)

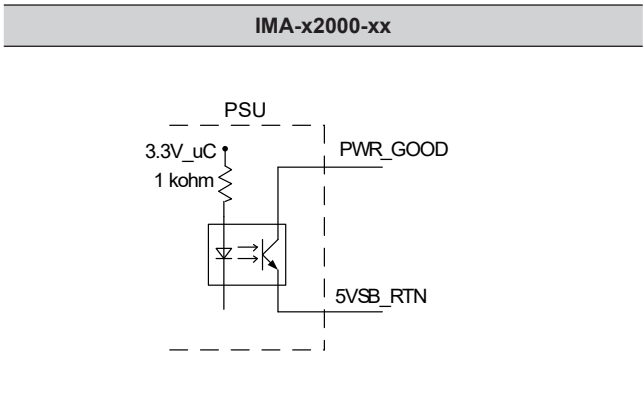


Fig. 14: Circuit diagram J3 Pin 9 (PWR_GOOD)

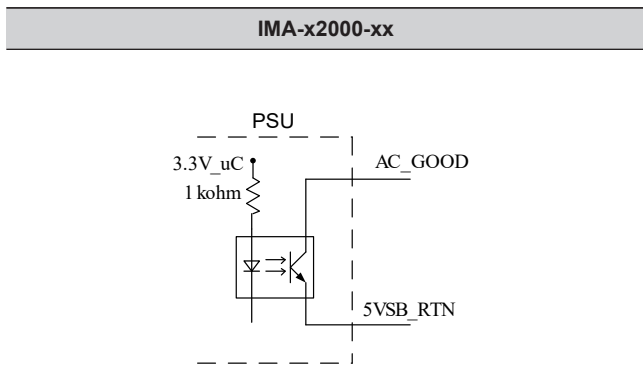


Fig. 15: Circuit diagram J3 Pin 7 (AC_GOOD)

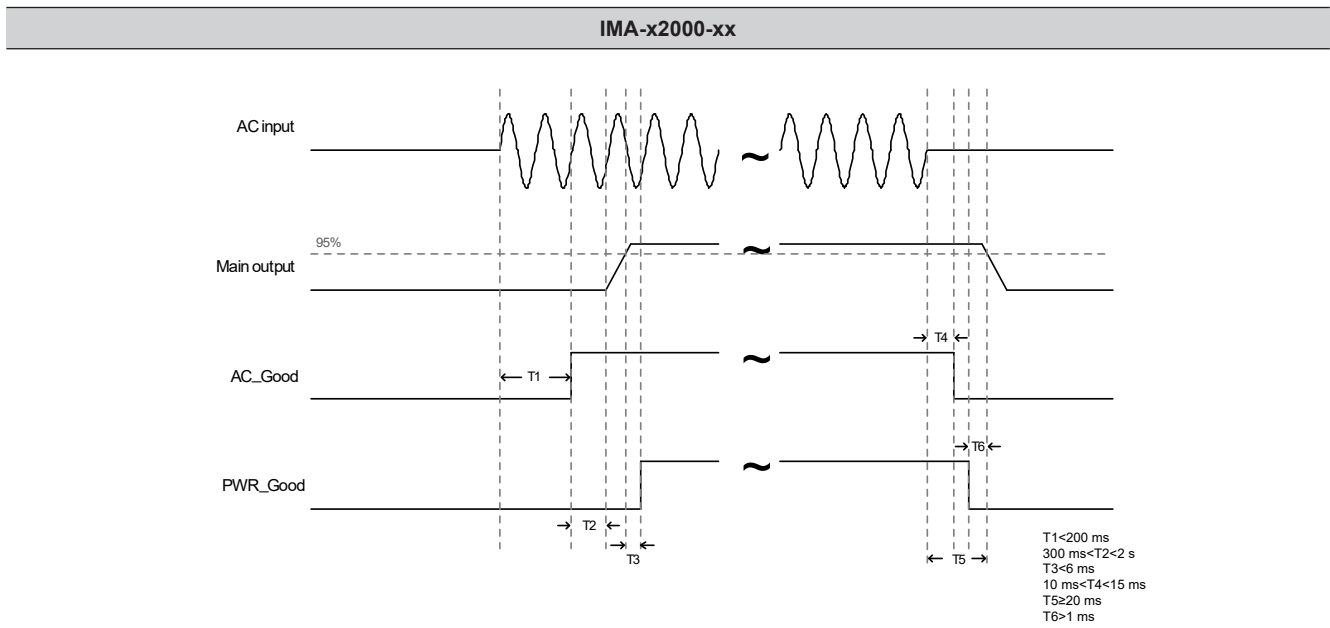


Fig. 16: Power Good/AC_Good function Timing

¹⁾ For DC output voltage ≤ Nominal output voltage; will reduce at DC output voltages > Nominal output voltage

This page is intentionally left empty

Sales Contact

Europe

Delta Energy Systems (Germany) GmbH
Tscheulinstrasse 21
79331 Teningen
Germany
deu.sales@deltaww.com
www.deltaenergysystems.com

USA

Delta Electronics (Americas)
46101 Fremont Blvd.
Fremont, CA 94538
USA
na.sales@deltaww.com
www.deltaenergysystems.com

Other regions

Delta Energy Systems (Germany) GmbH
Tscheulinstrasse 21
79331 Teningen
Germany
im.sales@deltaww.com
www.deltaenergysystems.com